

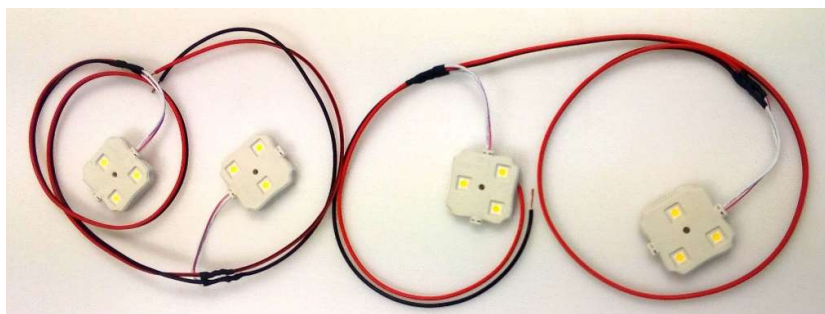
Assembly of A320 flood light

OVERVIEW

This instruction describes the assembly of the VIER IM POTT flood lighting kit. The flood light should be mounted after the assembly of the MIP and glare structure.

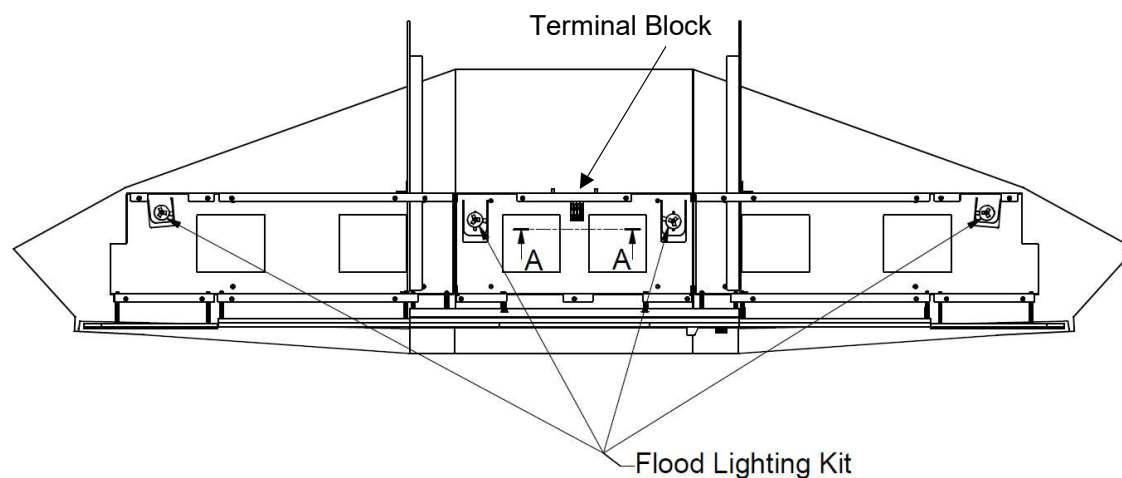
FLOOD LIGHTS

These are the main components of the flood light.



POSITION OF FLOOD LIGHTS

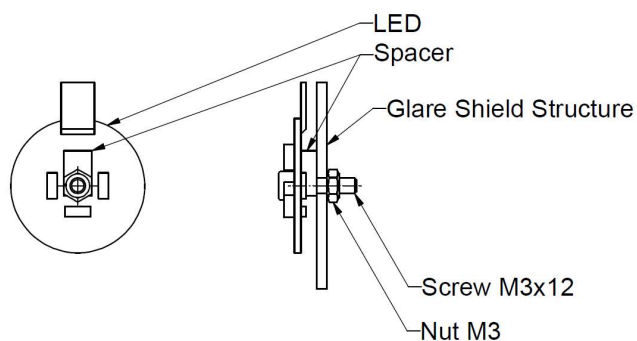
Flood lights are mounted on the glare shield structure. The chart below shows the glare from below.



MOUNTING FLOOD LIGHTS

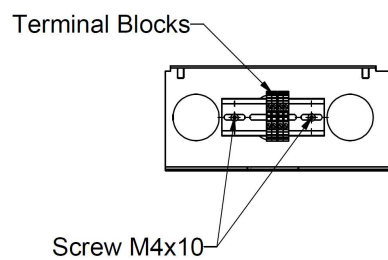
Mount LEDs and spacer to the glare structure according to the position in the drawing above.

Fix LEDs with screw and nut.



MOUNTING TERMINAL BLOCKS

Mount terminal blocks holder with the M4 screws to the glare shield structure. The blocks will unite all wires from the floodlights to one single wire which is connected to the power supply.



CONNECT CABLE

Connect flood light power supply cable to....

Wohin muss das Kabel?

FURTHER QUESTIONS?



In case you need further help with assembly please write an email with a clear explanation and descriptive photos to our support desk: support@vier-im-pott.com